

V5-YST-GP16 SERIES

Y – STRAINER

PRODUCT DATA



FEATURES

Ductile iron body

Stainless steel filter stem

SPECIFICATIONS

Flange EN1092-2, class 125

Screens are perforated 304 stainless steel with spot welded seam

Internally and externally fusion bonded epoxy powder coated (FBE)

Sizes: DN50 – DN600

Nominal pressure: 16 bar at -10°C to 120°

Test pressure: Shell (Water) – 24 Bar

Test pressure: Seat (Water) – 17.6 Bar

MATERIAL

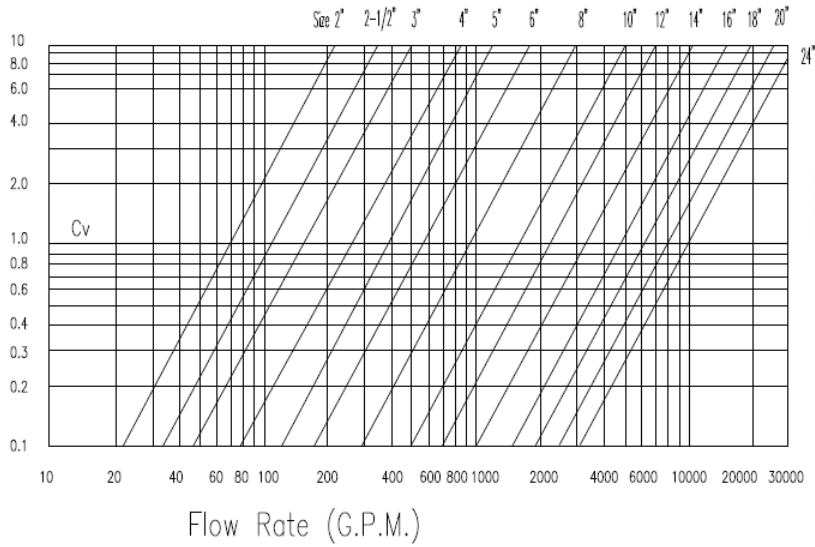
No	Description	Material	EN Specs	ASTM specs
1	Body	Ductile Iron	EN-JS1050	ASTM A536 65-45-12
2	Cover	Ductile Iron	EN-JS1050	ASTM A536 65-45-12
3	Screen	Stainless Steel	BS970 304S15	AISI 304
4	Gasket	Graphite	Commercial	Commercial
5	Plug	Ductile Iron	EN-JS1050	ASTM A536 65-45-12

STANDARD SCREEN

Size	Hole Dia.	Free Flow Area
DN50 to DN80	1.5mm	33%
DN100 to DN600	3.0mm	40%

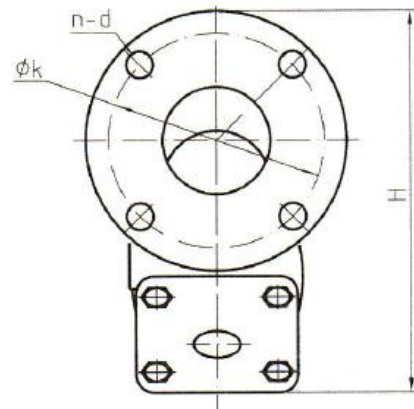
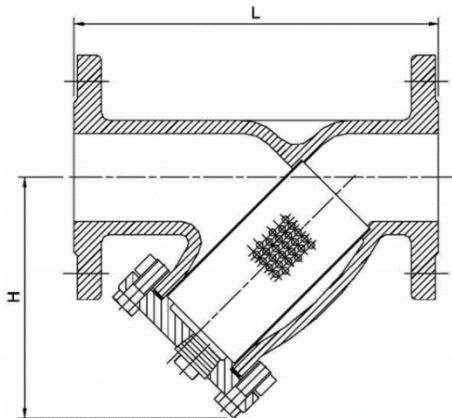
Honeywell

PRESSURE LOSS CURVE



Dimension (mm)

Size	DN50	DN65	DN80	DN100	DN125	DN150	DN200	DN250	DN300	DN350	DN400	DN450	DN500	DN600
L	230	290	310	350	400	480	600	730	850	980	1100	1200	1250	1450
H	130	158	173	216	240	281	333	460	515	755	827	930	980	1170
PLUG	1/2"	1"	1"	1"	1-1/4"	1-1/2"	1-1/2"	2"	2"	2"	2"	2"	2"	2"



EN1092-2 PN16

Size	DN50	DN65	DN80	DN100	DN125	DN150	DN200	DN250	DN300	DN350	DN400	DN450	DN500	DN600
n-d	4- ϕ 19	4- ϕ 19	8- ϕ 19	8- ϕ 19	8- ϕ 19	8- ϕ 23	12- ϕ 23	12- ϕ 28	12- ϕ 28	16- ϕ 28	16- ϕ 31	20- ϕ 31	20- ϕ 34	20- ϕ 37
Φk	125	145	160	180	210	240	295	355	410	470	525	585	650	770

Honeywell

ANSI B16.1 Class125

Size	DN50	DN65	DN80	DN100	DN125	DN150	DN200	DN250	DN300	DN350	DN400	DN450	DN500	DN600
n-d	4-φ 19	4-φ 19	4-φ 19	8-φ 19	8-φ 22	8-φ 22	8-φ 22	12-φ 25	12-φ 25	12-φ 29	16-φ 29	16-φ 32	20-φ 32	20-φ 35
Φk	120.5	139.5	152.5	190.5	216.0	241.5	298.5	362.0	432.0	476.0	539.5	578.0	635.0	749.5

SELECTION CHART

