

V2 & V3 Series

Honeywell

Honeywell

Brass & Bronze Valves



## Features

Honeywell has developed a complete range of brass and bronze valves in small diameters to cater for use in general utilities, building control systems, as well as industrial applications.

- Our brass and bronze valves consists of ball valves, gate, globe, check and y-strainers, available in sizes ranging from 1/4" to 4" and in pressure ratings A125 or A150 (depending on the valve type).
- The brass valves are manufactured in forged brass, while the bronze valves are manufactured completely from castings.

## Technical Data

Pressure ratings	: A125, A150
Body materials	: Brass (B124) Bronze (B584)
Sizes	: Brass (1/2" to 2") Bronze (1/4" to 4") depending on valve types.
Connection standards	: Unless otherwise specified, the threaded connections are available as parallel thread (as per BS 21 or UNI-ISO 7/1) or taper thread (as per ANSI or ASME B 2.1-NPT) on request.

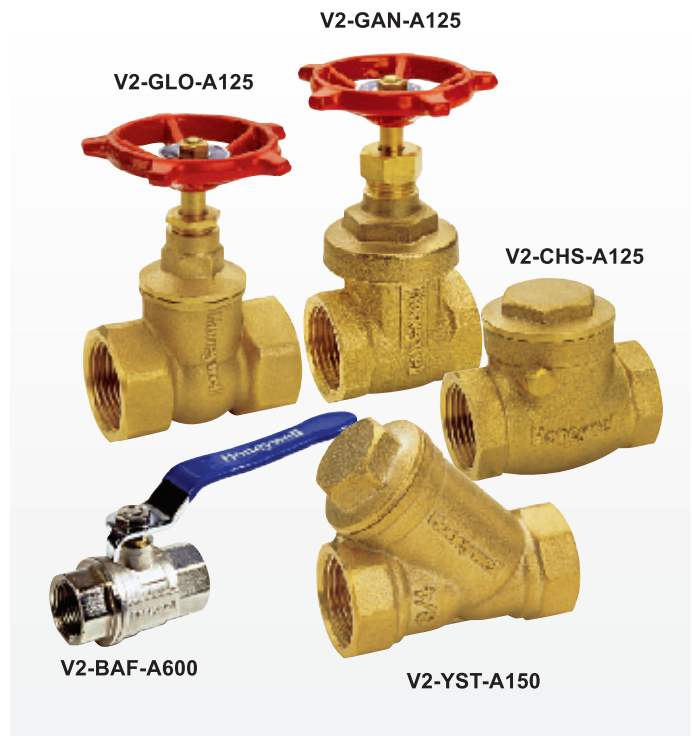
All dimensions in the data booklet are in mm (where not stated).

## General Applications

Honeywell brass and bronze valves have been successfully installed in many general utilities and industrial compounds. Typical media of application would include water, oil and gas, and non-caustic liquid saturated steam, with a temperature range of -20°C to 150°C.

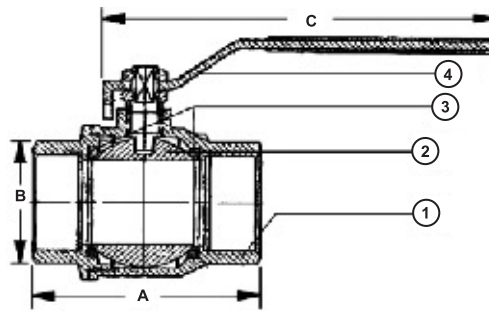
Specific areas of applications range from HVAC control systems in commercial and residential buildings, heating, refrigeration and thermal plants and hydraulic instrumentation systems.

## V2 Brass Valves



## V3 Bronze Valves





## V2-BAF-A600

### Ball Valve

Forged brass body, Chrome plating ball, Full bore design, Teflon seat

Size: 1/4" to 2" (NPT thread)

### Nominal Pressure:

150 psi Steam pressure  
600 psi Cold working pressure  
(Water, Oil or Gas)

### Dimensions

Size (in.)	A	B	C
1/4"	45.0	20.0	108.0
3/8"	45.0	20.0	110.0
1/2"	49.0	25.0	110.0
3/4"	65.0	31.0	140.0
1"	75.0	38.0	140.0
1 1/4"	85.0	48.0	175.0
1 1/2"	95.0	55.0	175.0
2"	113.0	67.0	180.0

### Materials

No.	Description	Material	ASTM
1	Body	Forged Brass	B124
2	Ball	Forged Brass	B124
3	Seat	Teflon	PTFE
4	Handle	Chrome Plated Steel	A36

**SINGAPORE**

Honeywell Pte Ltd  
(Headquarters for Southeast Asia)  
17 Changi Business Park Central 1  
Singapore 486073  
Tel : (65) 6355 2828  
Fax : (65) 6445 3033

**MALAYSIA**

Honeywell Engineering Sdn Bhd  
1st Floor Block B  
No. 10 Jalan Bersatu 13/4  
Petaling Jaya 46200  
Selangor Darul Ehsan  
Malaysia  
Tel : (603) 7958 4988  
Fax : (603) 7958 8922 / 7958 8722

**INDONESIA**

PT Honeywell Indonesia  
Sastra Graha, 5th Floor Suite 509  
JI Raya Perjuangan No. 21  
Jakarta 11530  
Indonesia  
Tel : (62) 21-535 8833  
Fax : (62) 21-5367 1008

**PHILIPPINES**

Honeywell Systems (Philippines) Inc.  
2305A, 23rd Floor, Tektite Tower 1  
Exchange Road, Ortigas Centre  
Pasig City 1605  
Philippines  
Tel : (632) 633 2830-31 / 636 1661-62  
Fax : (632) 638 4013

**THAILAND**

Honeywell Systems (Thailand) Ltd  
252/121 25th Floor  
Muang Thai-Phatra Office Tower II  
Ratchadapisek Road, Huay Khwang  
Bangkok 10320  
Thailand  
Tel : (662) 6933099  
Fax : (662) 6933085

# Honeywell

For further information, a quotation or a demonstration please contact our nearest Honeywell office or local distributor.

**Environmental Controls**

**Honeywell Pte Ltd**  
Honeywell Building  
17 Changi Business Park Central 1  
Singapore 486073  
Tel : (65) 6355 2828  
Fax : (65) 6445 3033  
[www.honeywell.com](http://www.honeywell.com)