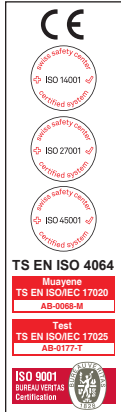


BAYLAN

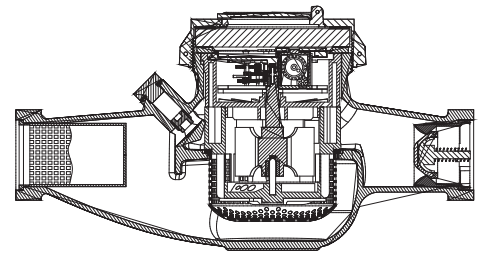
WATER METERS

SD-9 Multi jet Semi-Dry type Water Meter



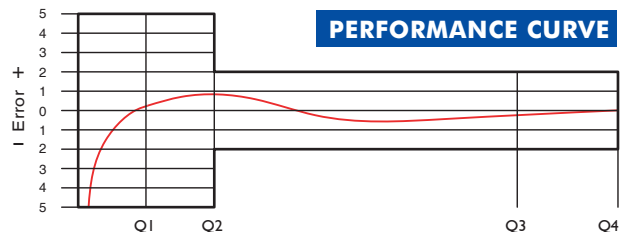
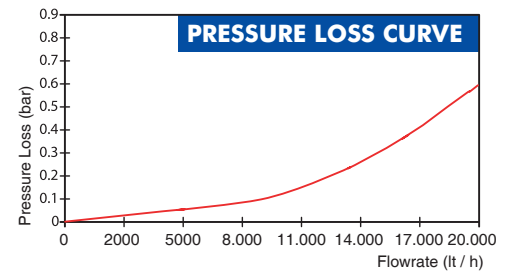
GENERAL

- MID Certified
- Multi jet working principle assures a long service time
- Low pressure loss, high sensitivity at initial flow
- Suitable for potable water
- Propylene glycol protected register
- Special glass with high resistance to pressure and impact
- Double filter • Non return valve
- Electrostatic painted body made of corrosion resistant brass
- Available for optical reading
- Pulse output and AMR reading features are optional
- 3 years of warranty • Almost no maintenance
- Suitable for cold water up to 50°C
- Service and spare parts available for 10 years



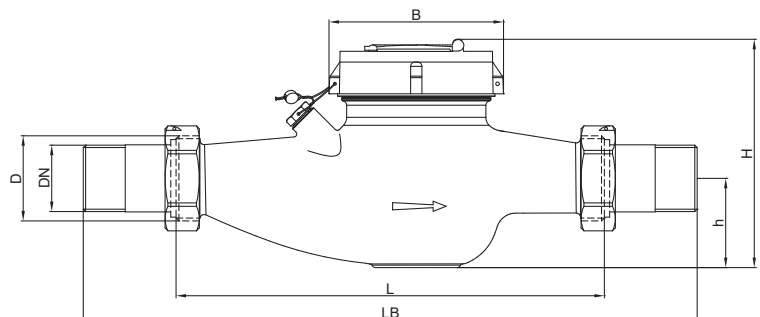
PERFORMANCE DATA

Overload Flowrate	Q4	m ³ /h	20		
Permanent Flowrate	Q3	m ³ /h	16		
Transitional Flowrate	Q2	m ³ /h	0,406	0,32	0,256
Minimum Flowrate	Q1	m ³ /h	0,253	0,2	0,16
Q3/Q1 (MI-001 OIML R49)	-		63	80	100
Mounting on the network	-		Horizontal		
Maximum Registration Cap.	m ³		9999 / 99999 / 99999,99 / 99999,999		
Initial Flow	Qi	l/h	30		
Maximum Working Pressure	bar		16		
Maximum Working Temp.	°C		50		
Pressure Loss	bar		0,6		
Smallest Reading Resolution	m ³ /h		0,00005		
Class	-		Class 1 / Class 2		



DIMENSIONS

Nominal diameter	DN	40	mm
Connecting diameter	D	G2	B
Total overall meter height	H	160	mm
Axis height	h	63	mm
Length	L	300	mm
Width	B	122	mm
Length with connections	LB	438	mm
Unit weight		3,95	kg
Package Weight (without connect)		17,55	kg
Package Weight (with connect)		23,50	kg
Quantity per package		4	pcs
Package dimensions		34x37x36,5	cm



"Due to continuous development of our products, we reserve the right to modify our product design or construction without prior notice."