

# BAYLAN

## WATER METERS

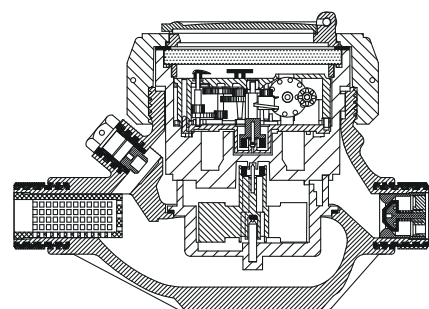
### TK-4P

#### Multi jet Dry type Water Meter



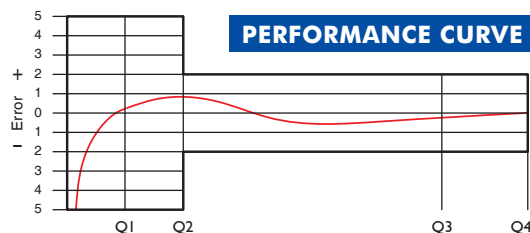
#### GENERAL

- MID Certified
- Multi jet working principle assures a long service time
- Low pressure loss, high sensitivity at initial flow
- 360° rotating lid • Non return valve
- Special glass with high resistance to pressure and impact
- Plastic body with high resistance to pressure and impacts
- Available for optical reading • Almost no maintenance
- Pulse output and AMR reading features are optional
- 3 years of warranty • Suitable for potable water
- Suitable for cold water up to 50°C
- Stainless steel register cup is optional
- Service and spare parts available for 10 years
- Brass or plastic end connection options

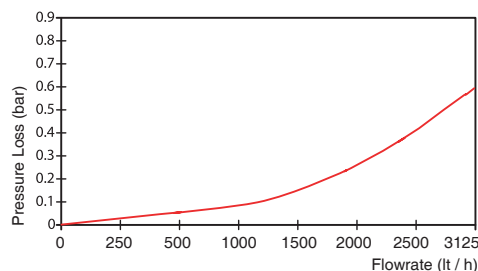


#### PERFORMANCE DATA

Overload Flowrate	Q4	m <sup>3</sup> /h	3,125		
Permanent Flowrate	Q3	m <sup>3</sup> /h	2,5		
Transitional Flowrate	Q2	m <sup>3</sup> /h	0,025	0,02	0,016
Minimum Flowrate	Q1	m <sup>3</sup> /h	0,0156	0,125	0,01
Q3/Q1 (MI-001 OIML R49)	-		160	200	250
Mounting on the network	-		Horizontal		
Initial Flow	Qi	l/h	5		
Maximum Working Pressure		bar	16		
Maximum Working Temperature		°C	50		
Pressure Loss		bar	0,6		
Maximum Registration Capacity		m <sup>3</sup> /h	9999/99999/99999,99/99999,999		
Smallest Reading Resolution		m <sup>3</sup> /h	0.00005		
Class			Class 1 / Class 2		
Quantity per package	-		10		

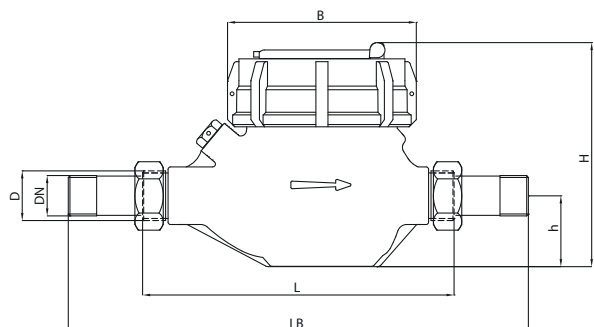


#### PRESSURE LOSS CURVE



#### DIMENSIONS

Nominal diameter	DN	15	mm
Connecting diameter	D	G 3/4	B
Total overall meter height	H	121	mm
Axis height	h	39	mm
Length	L	165	mm
Width	B	101	mm
Length with connections	LB	245	mm
Unit weight		0,72	kg
Package Weight (without connect)		8,05	kg
Package Weight (with connect)		9,65	kg
Package dimensions		27x48x20	cm



"Due to continuous development of our products, we reserve the right to modify our product design or construction without prior notice."