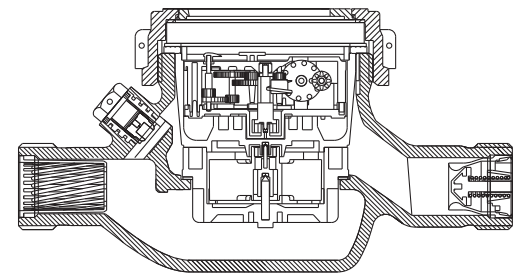


# BAYLAN

## WATER METERS

### TK-2P

## Multi jet Dry type Water Meter



### GENERAL

- MID Certified
- Suitable for potable water
- Multi jet working principle assures a long service time
- Low pressure loss, high sensitivity at initial flow
- Vacuumed mechanism
- 360° rotating lid • Non return valve
- Plastic body with high resistance to pressure and impacts
- Available for optical reading
- Pulse output and AMR reading features are optional
- 3 years of warranty • Almost no maintenance
- Suitable for cold water up to 50°C
- Stainless steel register cup is optional
- Service and spare parts available for 10 years
- Brass or plastic end connection options



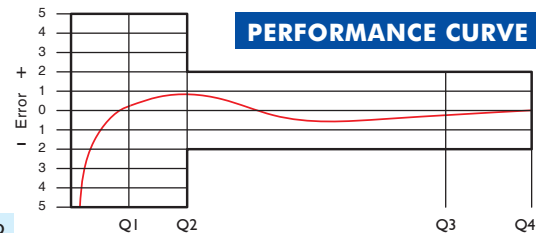
### PERFORMANCE DATA

Overload Flowrate	Q4	m <sup>3</sup> /h	5		
Permanent Flowrate	Q3	m <sup>3</sup> /h	4		
Transitional Flowrate	Q2	m <sup>3</sup> /h	0,0512	0,04	0,032
Minimum Flowrate	Q1	m <sup>3</sup> /h	0,032	0,025	0,02
Q3/Q1 (MI-001 OIML R49)	-		125	160	200
Maximum Registration Capacity	m <sup>3</sup>		9999 / 99999 / 99999,99 / 99999,999		
Mounting on the network	-		Horizontal		
Initial Flow	Qi	l/h	7		
Maximum Working Pressure	bar		16		
Maximum Working Temperature	°C		50		
Pressure Loss	bar		0,6		
Smallest Reading Resolution	m <sup>3</sup>		0.00005		
Class			Class 1 / Class 2		
Quantity per package	-		10		

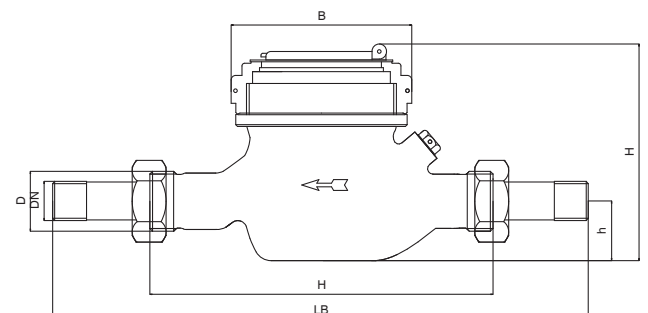
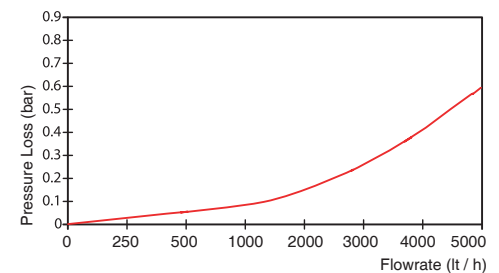
### DIMENSIONS

Nominal diameter	DN	20	mm
Connecting diameter	D	G1	B
Total overall meter height	H	122,5	mm
Axis height	h	37,5	mm
Length	L	190	mm
Width	B	101	mm
Length with connections	LB	270	mm
Unit weight		0,78	kg
Package Weight (without connect)		8,74	kg
Package Weight (with connect)		9,54	kg
Package dimensions		27x52x22	cm

### PERFORMANCE CURVE



### PRESSURE LOSS CURVE



"Due to continuous development of our products, we reserve the right to modify our product design or construction without prior notice."