

BAYLAN

WATER METERS

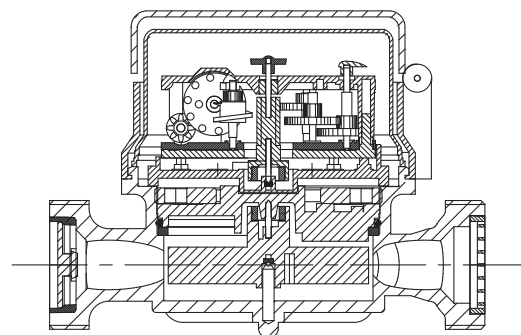
KK-1

Single jet Dry type Water Meter



GENERAL

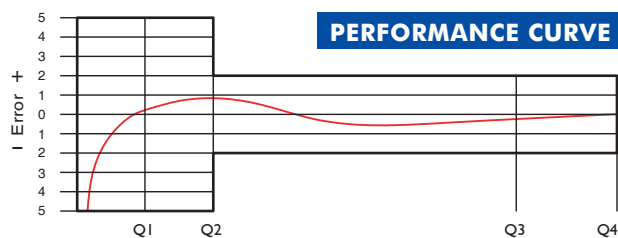
- MID Certified
- Single jet design assures very high sensitivity even at low flows
- Suitable for potable water
- 360° rotating lid • 8 roller register
- Body made of corrosion resistant brass
- Available for optical reading
- 3 years of warranty
- Vacuumed mechanism
- Suitable for cold water up to 50°C
- Almost no maintenance
- Service and spare parts available for 10 years



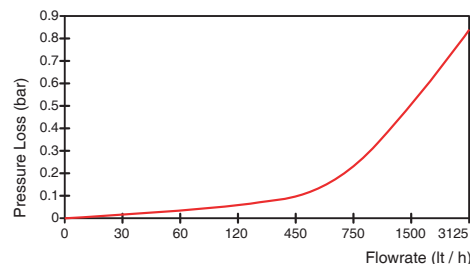
PERFORMANCE DATA

Overload Flowrate	Q4	m ³ /h	3,125
Permanent Flowrate	Q3	m ³ /h	2,5
Transitional Flowrate	Q2	m ³ /h	0,040
Minimum Flowrate	Q1	m ³ /h	0,025
Q3/Q1 (MI-001 OIML R49)	-		100
Mounting on the network	-		Horizontal
Initial Flow	Qi	l/h	7
Maximum Working Pressure	bar		16
Maximum Working Temperature	°C		50
Pressure Loss	bar		0.63
Maximum Registration Capacity	m ³		99999,999
Smallest Reading Resolution	m ³ /h		0.00005
Quantity per package	-		10
Package dimensions	cm		21x42,5x16,5

PERFORMANCE CURVE

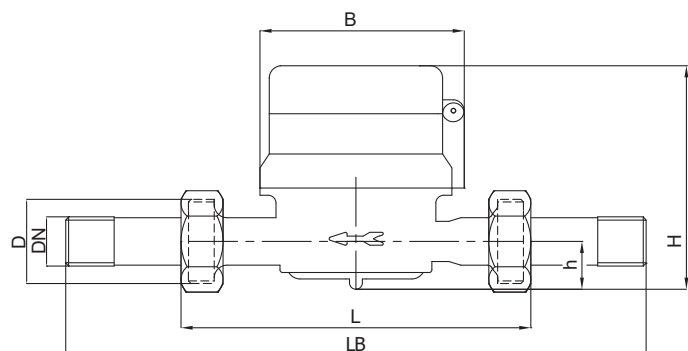


PRESSURE LOSS CURVE



DIMENSIONS

Nominal diameter	DN	15	mm
Connecting diameter	D	G 3/4	B
Total overall meter height	H	79	mm
Axis height	h	19	mm
Length	L	110	mm
Width	B	77	mm
Length with connections	LB	190	mm
Unit weight		0.41	kg
Package Weight (without connections)		4.70	kg
Package Weight (with connections)		5.90	kg



"Due to continuous development of our products, we reserve the right to modify our product design or construction without prior notice."