

# BAYLAN

## WATER METERS

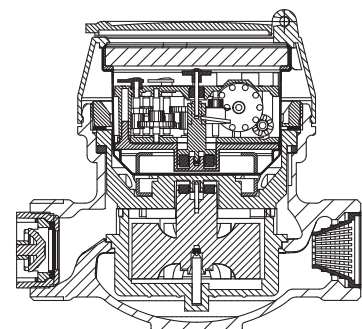
### TK-13

## Multi jet Dry type Water Meter



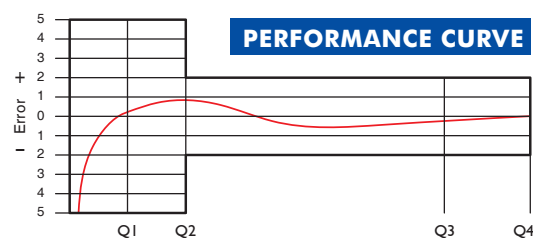
#### GENERAL

- MID Certified
- Multi jet working principle assures a long service time
- Suitable for potable water
- 359° rotating dial
- Low pressure loss, high sensitivity at initial flow
- Electrostatic painted body made of corrosion resistant brass
- Available for optical reading • Non return valve
- Pulse output and AMR reading features are optional
- 3 years of warranty • Almost no maintenance
- With stainless steel register cup
- Wiper on the glass is optional
- Suitable for cold water up to 50°C
- Service and spare parts available for 10 years

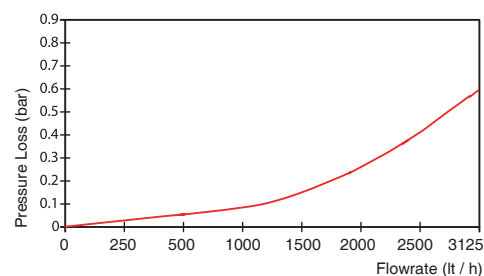


#### PERFORMANCE DATA

Overload Flowrate	Q4	m³/h	3,125			
Permanent Flowrate	Q3	m³/h	2,5			
Transitional Flowrate	Q2	m³/h	0,040	0,0320	0,0250	0,0200
Minimum Flowrate	Q1	m³/h	0,025	0,0200	0,0156	0,0125
Initial Flow	Qi	l/h	10	7	5	5
Q3/Q1 (MI-001 OIML R49)	-		100	125	160	200
Mounting on the network	-		Yatay			
Maximum Working Pressure		bar	16			
Maximum Working Temperature		°C	50			
Pressure Loss		bar	0,63			
Maximum Registration Capacity		m³	9999/99999/99999,99/99999,999			
Smallest Reading Resolution		m³/h	0.00005			
Class			Class 1 / Class 2			
Quantity per package			10			
Package dimensions		cm	22x42x16			



#### PRESSURE LOSS CURVE



#### DIMENSIONS

Nominal diameter	DN	15	20	mm
Connecting diameter	D	G 3/4	G 1	B
Total overall meter height	H	106,5	106,5	mm
Axis height	h	27	27	mm
Width	B	78,5	78,5	mm
Length	L	110   115	110   115	mm
Length with connections	LB	195   200	195   200	mm
Unit weight		0,81	0,86	kg
Package Weight (without connections)		8,63	9,36	kg
Package Weight (with connections)		10,03	11,16	kg

