

BAYLAN

WATER METERS

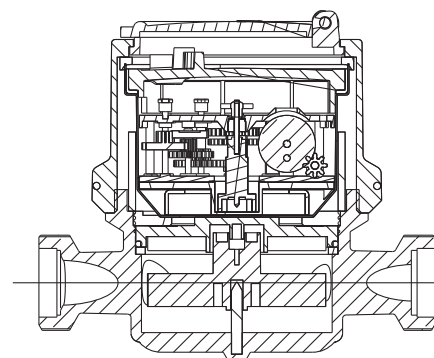
KK-12

Single jet Dry type Water Meter



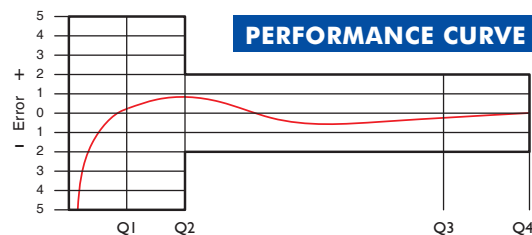
GENERAL

- MID Certificated
- Single jet design assures very high sensitivity even at low flows
- Pulse output and AMR reading features are optional
- With stainless steel register cup
- Vacuum mechanism
- Electrostatic painted body made of corrosion resistant brass
- Suitable for potable water
- Available for optical reading
- 3 years of warranty • Almost no maintenance
- Suitable for cold water up to 50°C
- Service and spare parts available for 10 years



PERFORMANCE DATA

Overload Flowrate	Q4	m ³ /h	3,125			
Permanent Flowrate	Q3	m ³ /h	2,5			
Transitional Flowrate	Q2	m ³ /h	0,050	0,040	0,025	0,050
Minimum Flowrate	Q1	m ³ /h	0,0312	0,025	0,0156	0,0312
Q3/Q1 (MI-001 OIML R49)	-		80	100	160	80
Mounting on the network	-		H		V	
Initial Flow	Qi	l/h	5			
Maximum Working Pressure		bar	16			
Maximum Working Temperature		°C	50			
Pressure Loss		bar	0,63			
Maximum Registration Capacity		m ³ /h	99999 / 99999,999			
Smallest Reading Resolution		m ³ /h	0.00005			
Quantity per package		-	10			



PERFORMANCE CURVE

DIMENSIONS

Nominal diameter	DN	15	mm
Connecting diameter	D	G 3/4	B
Total overall meter height	H	90,5	mm
Axis height	h	18,5	mm
Length	L	110	mm
Width	B	81	mm
Length with connections	LB	190	mm
Unit weight		0,67	kg
Package Weight (without connect)		7,36	kg
Package Weight (with connect)		8,72	kg
Package dimensions		21x43x17	cm

PRESSURE LOSS CURVE

