

BAYLAN

WATER METERS

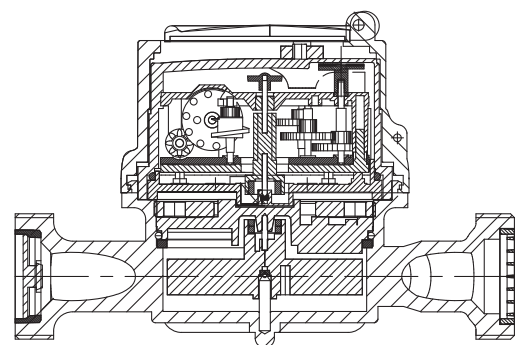
KK-11

Single jet Dry type Water Meter



GENERAL

- MID Certified
- Single jet design assures very high sensitivity even at low flows
- 360° rotating lid • Suitable for potable water
- Available for optical reading
- Pulse output and AMR reading features are optional
- Electrostatic painted body made of corrosion resistant brass
- 3 years of warranty
- Vacuumed mechanism
- Suitable for cold water up to 50°C
- Almost no maintenance
- Service and spare parts available for 10 years

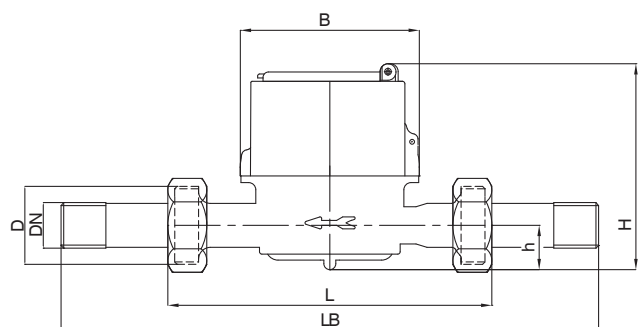
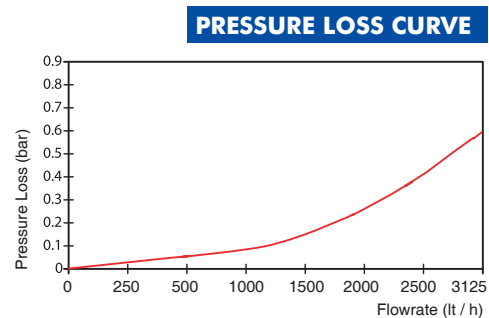
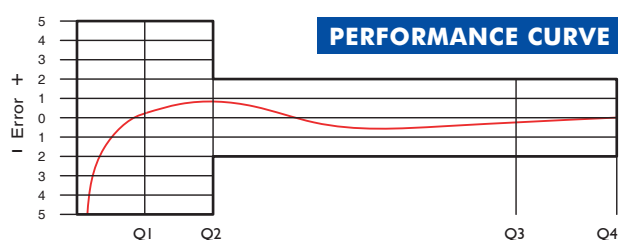


PERFORMANCE DATA

Overload Flowrate	Q4	m ³ /h	3,125
Permanent Flowrate	Q3	m ³ /h	2,5
Transitional Flowrate	Q2	m ³ /h	0,025
Minimum Flowrate	Q1	m ³ /h	0,0156
Q3/Q1 (MI-001 OIML R49)	-		160
Mounting on the network	-		Horizontal
Initial Flow	Qi	l/h	5
Maximum Working Pressure	bar		16
Maximum Working Temperature	°C		50
Pressure Loss	bar		0,6
Maximum Registration Capacity	m ³		99999
Smallest Reading Resolution	m ³ /h		0.00005
Quantity per package	-		10
Package dimensions	cm		21x43x17

DIMENSIONS

Nominal diameter	DN	20	mm
Connecting diameter	D	G 1	B
Total overall meter height	H	85	mm
Axis height	h	17,5	mm
Length	L	130	mm
Width	B	74,5	mm
Length with connections	LB	210	mm
Unit weight		0,58	kg
Package Weight (without connections)		6,42	kg
Package Weight (with connections)		8,22	kg



"Due to continuous development of our products, we reserve the right to modify our product design or construction without prior notice."