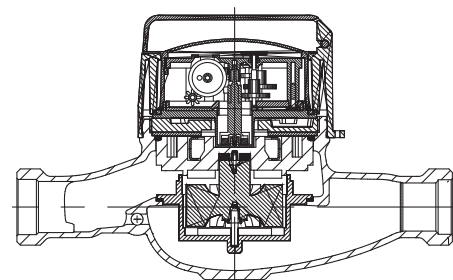


BAYLAN

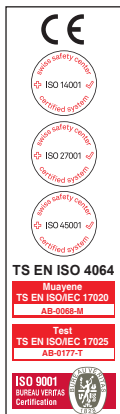
WATER METERS

TK-2 Multi jet Dry type Water Meter



GENERAL

- MID Certified
- Multi jet working principle assures a long service time
- Suitable for potable water
- Low pressure loss, high sensitivity at initial flow
- Special glass with high resistance to pressure and impact
- Electrostatic painted body made of corrosion resistant brass
- Available for optical reading • 359° rotating dial
- Pulse output and AMR reading features are optional
- 3 years of warranty • Non return valve
- Suitable for cold water up to 50°C
- Almost no maintenance • Vacuumed mechanism
- Service and spare parts available for 10 years

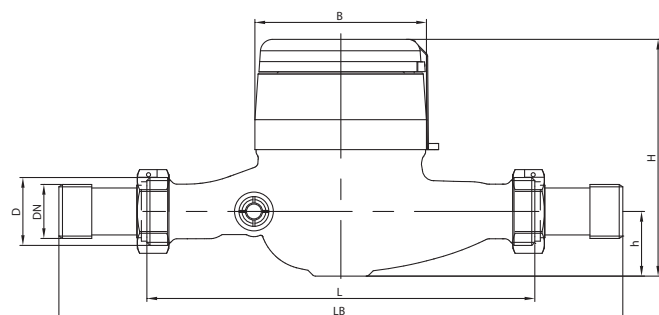


PERFORMANCE DATA

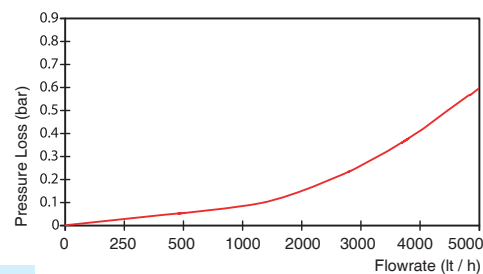
Permanent Flowrate	Q3	(m ³ / h) :	4
Overload Flowrate	Q4	(m ³ / h) :	5
Transitional Flowrate	Q2	(m ³ / h) :	0.064 0.0512 0.04 0.032
Minimum Flowrate	Q1	(m ³ / h) :	0.04 0.032 0.025 0.02
Q3/Q1 (MI-001 OIML R49)			: 100 125 160 200
Maximum Registration Capacity	(m ³)	:	9999 / 99999 / 99999,99 / 99999,999
Initial Flowrate	Qi	(l/h) :	5
Maximum Working Pressure	(bar)	:	16
Maximum Working Temperature	(°C)	:	50
Pressure Loss (Q3)	(bar)	:	0.6
Smallest Reading Resolution	(m ³)	:	0.00005
Class		:	Class 1 / Class 2
Mounting on the network		:	Horizontal
Unit weight	(kg)	:	1,09
Package Weight (without connections)	(kg)	:	11,81
Package Weight (with connections)	(kg)	:	13,61
Quantity per package		:	10
Package dimensions	(cm)	:	25x46,5x22

DIMENSIONS

Nominal diameter	DN	20	mm
Connecting diameter	D	G 1	B
Total overall meter height	H	113	mm
Axis height	h	32,5	mm
Length	L	190	mm
Width	B	85	mm
Length with connections	LB	270	mm



PRESSURE LOSS CURVE



PERFORMANCE CURVE

