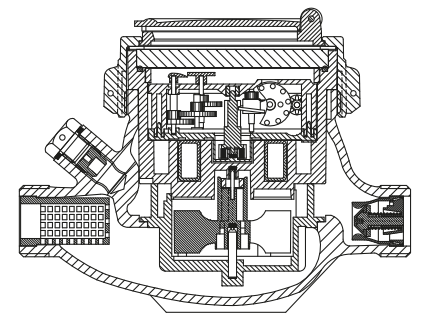


BAYLAN

WATER METERS

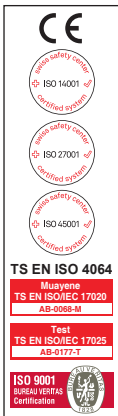
TK-24

Multi jet Dry type Water Meter



GENERAL

- MID Certified
- Multi jet working principle assures a long service time
- Suitable for potable water
- Low pressure loss, high sensitivity at initial flow
- 360° rotating lid • Non return valve
- Special glass with high resistance to pressure and impact
- Electrostatic painted body made of corrosion resistant brass
- Available for optical reading
- Pulse output and AMR reading features are optional
- 3 years of warranty • Almost no maintenance
- Stainless steel register cup is optional
- Suitable for cold water up to 50°C
- Service and spare parts available for 10 years

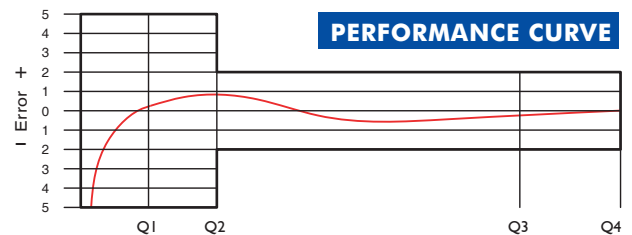


PERFORMANCE DATA

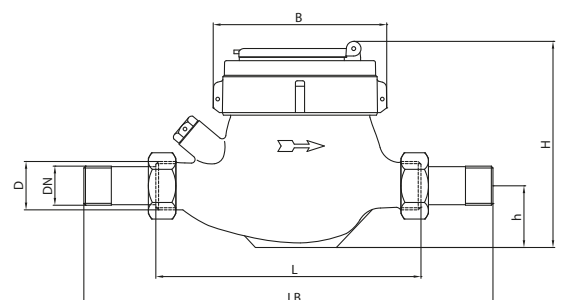
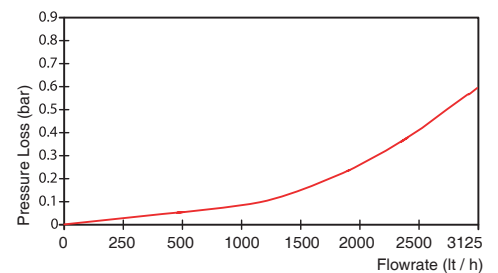
Overload Flowrate	Q4	m ³ /h	3,125
Permanent Flowrate	Q3	m ³ /h	2,5
Transitional Flowrate	Q2	m ³ /h	0,025
Minimum Flowrate	Q1	m ³ /h	0,0156
Q3/Q1 (MI-001 OIML R49)	-		160
Mounting on the network	-		Horizontal
Initial Flow	Qi	l/h	5
Maximum Working Pressure	bar		16
Maximum Working Temperature	°C		50
Pressure Loss	bar		0,63
Maximum Registration Capacity	m ³		99999
Smallest Reading Resolution	m ³ /h		0.00005
Quantity per package	-		10
Package dimensions	cm		27x48,5x20

DIMENSIONS

Nominal diameter	DN	15	mm
Connecting diameter	D	G 3/4	B
Total overall meter height	H	118	mm
Axis height	h	37	mm
Length	L	145	mm
Width	B	93	mm
Length with connections	LB	225	mm
Unit weight		1,25	kg
Package Weight (without connect)		13,31	kg
Package Weight (with connect)		14,71	kg



PRESSURE LOSS CURVE



"Due to continuous development of our products, we reserve the right to modify our product design or construction without prior notice."