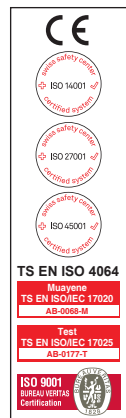


# BAYLAN

## WATER METERS

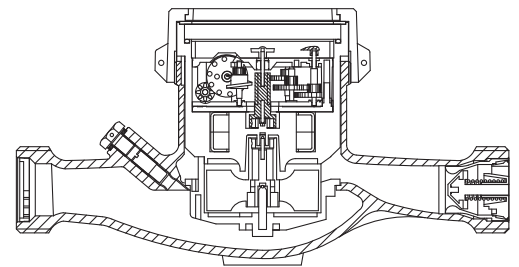
### TK-21

## Multi jet Dry type Water Meter



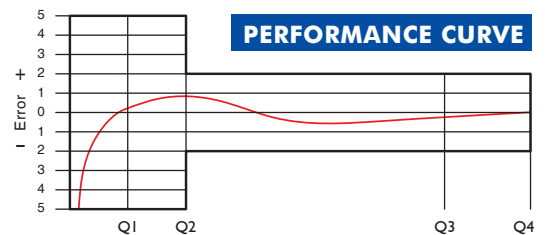
#### GENERAL

- MID Certified
- Multi jet working principle assures a long service time
- Suitable for potable water
- Low pressure loss, high sensitivity at initial flow
- Vacuumed mechanism • Protection against magnetic effects
- Electrostatic painted body made of corrosion resistant brass
- Available for optical reading • Non return valve
- Pulse output and AMR reading features are optional
- Wiper on the glass is optional
- 3 years of warranty • Almost no maintenance
- Stainless steel register cup is optional
- Suitable for cold water up to 50°C
- Service and spare parts available for 10 years

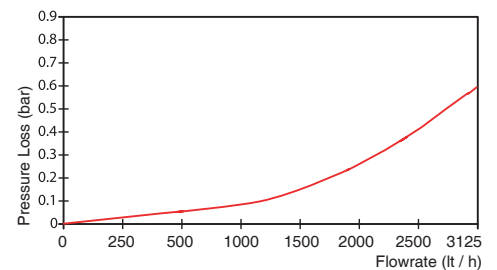


#### PERFORMANCE DATA

Overload Flowrate	Q4	m <sup>3</sup> /h	3,125			
Permanent Flowrate	Q3	m <sup>3</sup> /h	2,5			
Transitional Flowrate	Q2	m <sup>3</sup> /h	0,040	0,0320	0,0250	0,0200
Minimum Flowrate	Q1	m <sup>3</sup> /h	0,025	0,0200	0,0156	0,0125
Q3/Q1 (MI-001 OIML R49)	-		100	125	160	200
Mounting on the network	-		5			
Initial Flow	Qi	l/h	Yatay			
Maximum Working Pressure		bar	16			
Maximum Working Temperature		°C	50			
Pressure Loss		bar	0,63			
Maximum Registration Capacity		m <sup>3</sup>	9999/99999/99999,99/99999,999			
Smallest Reading Resolution		m <sup>3</sup> /h	0.00005			
Class	-		Class 1 / Class 2			
Quantity per package	-		10			
Package dimensions		cm	24x47x23			

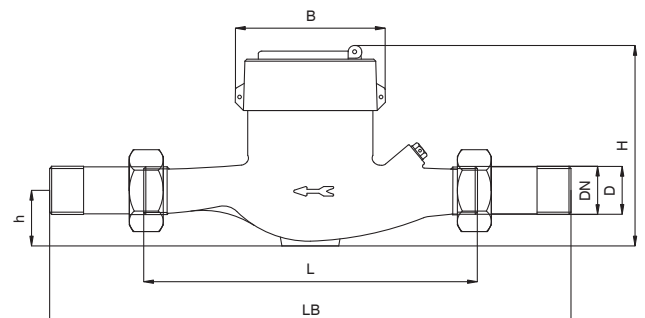


#### PRESSURE LOSS CURVE



#### DIMENSIONS

Nominal diameter	DN	20	mm
Connecting diameter	D	G 1	B
Total overall meter height	H	113	mm
Axis height	h	29	mm
Length	L	190	mm
Width	B	82,5	mm
Length with connections	LB	270	mm
Unit weight		1,09	kg
Package Weight (without connections)		11,80	kg
Package Weight (with connections)		13,50	kg



"Due to continuous development of our products, we reserve the right to modify our product design or construction without prior notice."