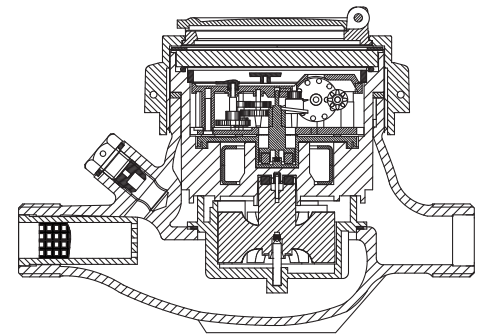


BAYLAN

WATER METERS

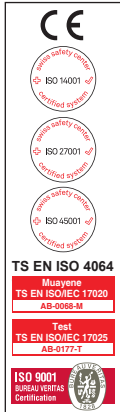
TK-4S

Multi jet Dry type Water Meter (Hot Water)



GENERAL

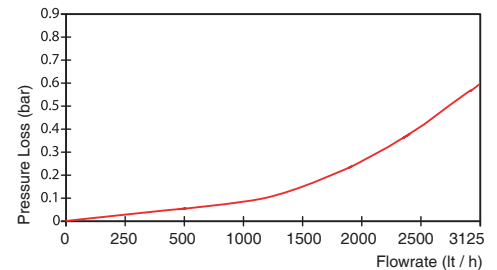
- MID Certified
- Multi jet working principle assures a long service time
- Low pressure loss, high sensitivity at initial flow
- Special glass with high resistance to pressure and impact
- Electrostatic painted body made of corrosion resistant brass
- Available for optical reading
- Vacuumed mechanism
- Wiper on the glass is optional
- Pulse output and AMR reading features are optional
- Stainless steel register cup is optional
- 3 years of warranty
- Suitable for hot water up to 90°C
- Almost no maintenance • 360° rotating lid
- Service and spare parts available for 10 years



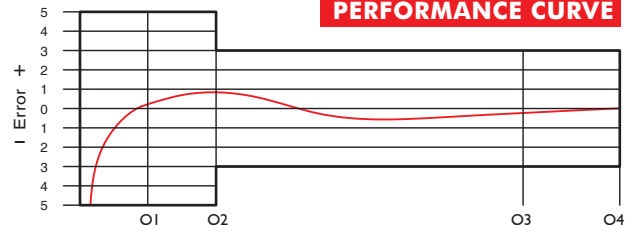
PERFORMANCE DATA

| | | | | | | |
|-------------------------------|----------------|-------------------|-------------------------------------|-------|--------|--------|
| Overload Flowrate | Q4 | m ³ /h | 3.125 | | | |
| Permanent Flowrate | Q3 | m ³ /h | 2.5 | | | |
| Transitional Flowrate | Q2 | m ³ /h | 0.04 | 0.032 | 0.025 | 0.1 |
| Minimum Flowrate | Q1 | m ³ /h | 0.025 | 0.02 | 0.0156 | 0.0625 |
| Q3/Q1 (MI-001 OIML R49) | - | | 100 | 125 | 160 | 40 |
| Mounting on the network | - | | H | | V | |
| Maximum Registration Capacity | m ³ | | 9999 / 99999 / 99999,99 / 99999,999 | | | |
| Initial Flow | Qi | l/h | 12 | | | |
| Maximum Working Pressure | bar | | 16 | | | |
| Maximum Working Temperature | °C | | 90 | | | |
| Pressure Loss | bar | | Max. 0,6 | | | |
| Smallest Reading Resolution | m ³ | | 0.00005 | | | |
| Class | - | | Class 1 / Class 2 | | | |
| Quantity per package | - | | 10 | | | |

PRESSURE LOSS CURVE

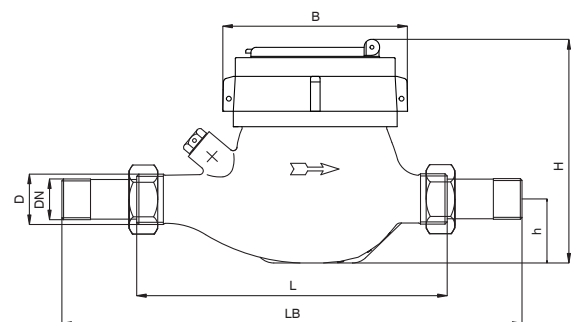


PERFORMANCE CURVE



DIMENSIONS

| | | | |
|----------------------------------|----|------------|----|
| Nominal diameter | DN | 15 | mm |
| Connecting diameter | D | G 3/4 | B |
| Total overall meter height | H | 118.5 | mm |
| Axis height | h | 32.2 | mm |
| Width | B | 95.5 | mm |
| Length | L | 165 190 | mm |
| Length with connections | LB | 245 270 | mm |
| Unit weight | | 1.33 | kg |
| Package Weight (without connect) | | 14.12 | kg |
| Package Weight (with connect) | | 15.52 | kg |
| Package dimensions | | 27x48.5x20 | cm |



"Due to continuous development of our products, we reserve the right to modify our product design or construction without prior notice."