

BAYLAN

WATER METERS

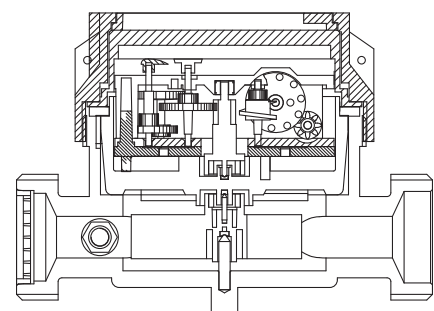
KK-3

Single jet Dry type Water Meter (Hot Water)



GENERAL

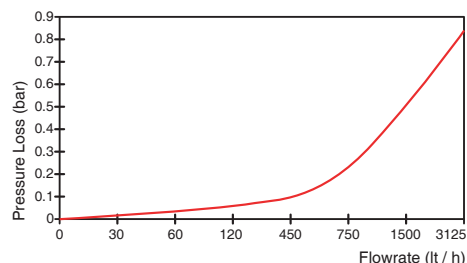
- MID Certified
- Single jet design assures very high sensitivity even at low flows
- Vacuumed mechanism • 360° rotating lid
- Electrostatic painted body made of corrosion resistant brass
- Available for optical reading
- Wiper on the glass is optional
- Pulse output and AMR reading features are optional
- 3 years of warranty • Low pressure loss
- Suitable for hot water up to 90°C
- Almost no maintenance
- Service and spare parts available for 10 years



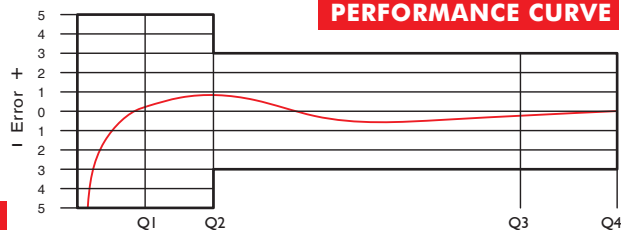
PERFORMANCE DATA

Overload Flowrate	Q4	m ³ /h	3.125
Permanent Flowrate	Q3	m ³ /h	2.5
Transitional Flowrate	Q2	m ³ /h	0.040
Minimum Flowrate	Q1	m ³ /h	0.025
Q3/Q1 (MI-001 OIML R49)	-		100
Mounting on the network	-		H
Maximum Registration Capacity	m ³		9999
Initial Flow	Qi	l/h	7
Maximum Working Pressure	bar		16
Maximum Working Temperature	°C		90
Pressure Loss	bar		Max. 0,6
Smallest Reading Resolution	m ³		0.00005
Class	-		Class 1 / Class 2
Quantity per package	-		10

PRESSURE LOSS CURVE



PERFORMANCE CURVE



DIMENSIONS

Nominal diameter	DN	15	20	mm
Connecting diameter	D	G 3/4	G 1	B
Total overall meter height	H	84	84	mm
Axis height	h	20	18	mm
Width	B	79	79	mm
Length	L	110	110	mm
Length with connections	LB	190	190	mm
Unit weight		0.72	0.69	kg
Package Weight (without connect)		7.69	7.52	kg
Package Weight (with connect)		8.89	9.32	kg
Package dimensions		21x42.5x16	21x42.5x16	cm

