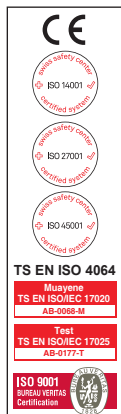


BAYLAN

WATER METERS

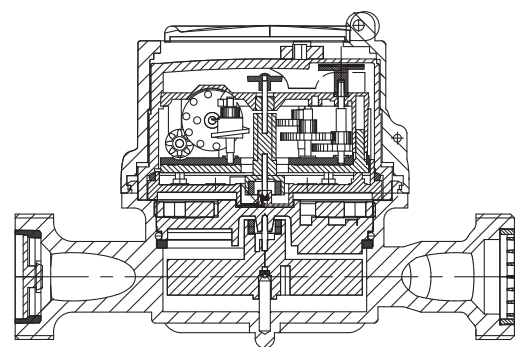
KK-14

Single jet Dry type Water Meter (Hot Water)



GENERAL

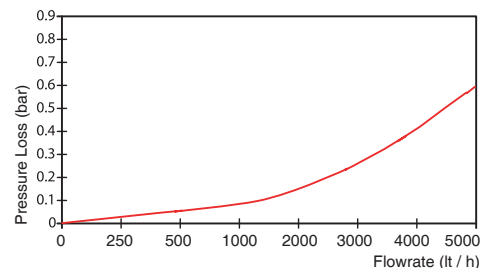
- MID Certified
- Single jet design assures very high sensitivity even at low flows
- 360° rotating lid
- Available for optical reading
- Pulse output and AMR reading features are optional
- Electrostatic painted body made of corrosion resistant brass
- 3 years of warranty
- Vacuumed mechanism
- Suitable for hot water up to 90°C
- Almost no maintenance
- Service and spare parts available for 10 years



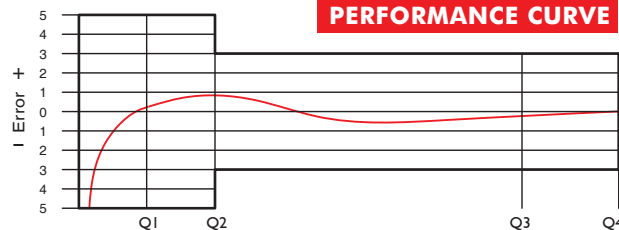
PERFORMANCE DATA

Overload Flowrate	Q4	m³/h	5	
Permanent Flowrate	Q3	m³/h	4	
Transitional Flowrate	Q2	m³/h	0.080	0.064
Minimum Flowrate	Q1	m³/h	0.050	0.040
Q3/Q1 (MI-001 OIML R49)	-		80	100
Mounting on the network	-		V	H
Maximum Registration Capacity		m³	999999 / 999999,999	
Initial Flow	Qi	l/h	6	
Maximum Working Pressure		bar	16	
Maximum Working Temperature		°C	90	
Pressure Loss		bar	Max. 0,6	
Smallest Reading Resolution		m³	0.00005	
Class			Class 1 / Class 2	
Quantity per package			10	

PRESSURE LOSS CURVE

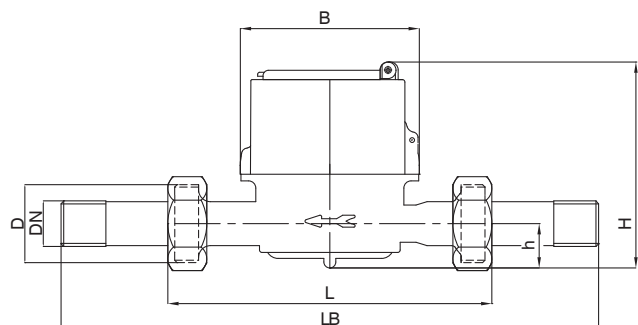


PERFORMANCE CURVE



DIMENSIONS

Nominal diameter	DN	20	mm
Connecting diameter	D	G1	B
Total overall meter height	H	85	mm
Axis height	h	22	mm
Width	B	75	mm
Length	L	130	mm
Length with connections	LB	210	mm
Unit weight		0.52	kg
Package Weight (without connect)		5.72	kg
Package Weight (with connect)		7.62	kg
Package dimensions		21x42.5x16 cm	



"Due to continuous development of our products, we reserve the right to modify our product design or construction without prior notice."