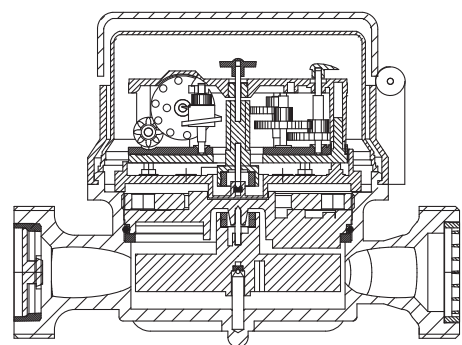


BAYLAN

WATER METERS

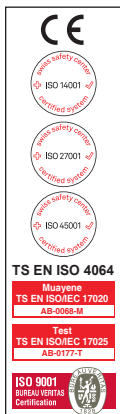
KK-12S

Single jet Dry type Water Meter (Hot Water)



GENERAL

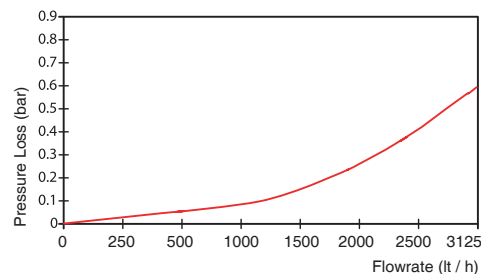
- MID Certified
- Single jet design assures very high sensitivity even at low flows
- Plastic upper body with high resistance to pressure and impacts
- Electrostatic painted body made of corrosion resistant brass
- Wiper on the glass is optional
- Vacuumed mechanism
- Available for optical reading
- 3 years of warranty • Almost no maintenance
- Suitable for cold water up to 90°C
- Service and spare parts available for 10 years



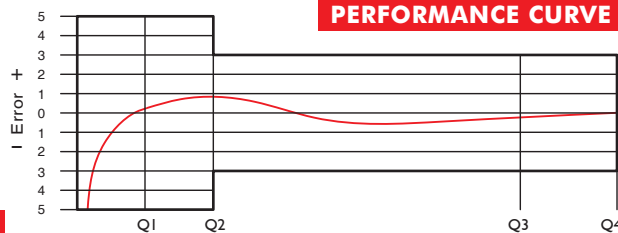
PERFORMANCE DATA

Overload Flowrate	Q4	m ³ /h	3.125	
Permanent Flowrate	Q3	m ³ /h	2.5	
Transitional Flowrate	Q2	m ³ /h	0.040	0.050
Minimum Flowrate	Q1	m ³ /h	0.025	0.03125
Q3/Q1 (MI-001 OIML R49)	-		100	80
Mounting on the network	-		H	
Maximum Registration Capacity	m ³		999999 / 999999,999	
Initial Flow	Qi	l/h	5	
Maximum Working Pressure	bar		16	
Maximum Working Temperature	°C		90	
Pressure Loss	bar		Max. 0,6	
Smallest Reading Resolution	m ³		0.00005	
Class	-		Class 1 / Class 2	
Quantity per package	-		10	

PRESSURE LOSS CURVE

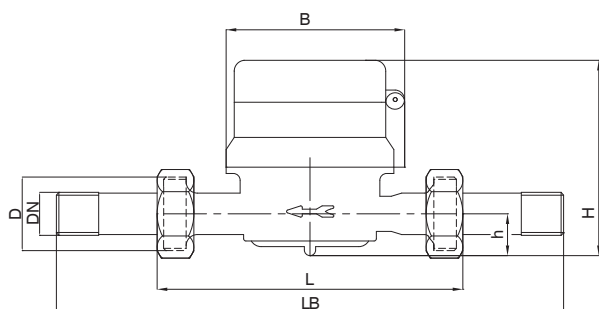


PERFORMANCE CURVE



DIMENSIONS

Nominal diameter	DN	15	20	mm
Connecting diameter	D	G 3/4	G 1	B
Total overall meter height	H	82	113	mm
Axis height	h	18	16	mm
Width	B	78.5	78.5	mm
Length	L	110	110	mm
Length with connections	LB	190	190	mm
Unit weight		0.45	0.56	kg
Package Weight (without connect)		5.12	6.18	kg
Package Weight (with connect)		6.52	7.98	kg
Package dimensions		21x42.5x16	21x42.5x16	cm



"Due to continuous development of our products, we reserve the right to modify our product design or construction without prior notice."