

BAYLAN

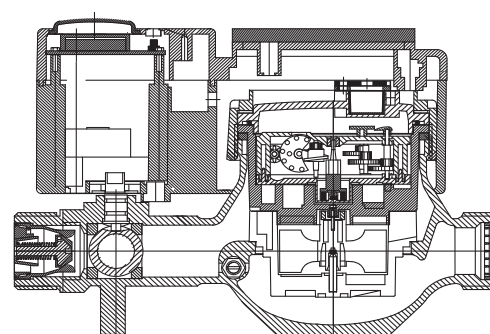
WATER METERS

AK-211S Prepaid Multi jet Water Meter (Hot Water)



GENERAL

- MID Certified
- Cash in advance payment
- Complete management of the water consumption
- Elimination of meter reading process
- Easy analysis of water consumption by rich reports on PC
- Contactless card usage ensures isolation against external affects
- No meter dismantling because of the debts
- Vacuumed mechanism
- IP65 protected electronic circuit and mechanical meter
- Sleeve security check and electronic sensor
- Lithium battery replaced by local administration
- LCD display with back light
- Suitable for hot water up to 90°C
- Almost no maintenance
- All spare parts available, wide range of service network
- Leakage control system • 3 years of warranty



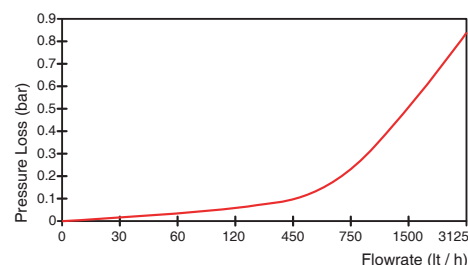
PERFORMANCE DATA

Overload Flowrate	Q4	m ³ /h	3.125
Permanent Flowrate	Q3	m ³ /h	2.5
Transitional Flowrate	Q2	m ³ /h	0.040
Minimum Flowrate	Q1	m ³ /h	0.025
Q3/Q1 (MI-001 OIML R49)	-		100
Mounting on the network	-		H
Maximum Registration Capacity	m ³		99999
Initial Flow	Qi	l/h	7
Maximum Working Pressure	bar		16
Maximum Working Temperature	°C		90
Pressure Loss	bar		Max. 0,63
Smallest Reading Resolution	m ³		0.00005
Class	-		Class 1 / Class 2
Quantity per package	-		5

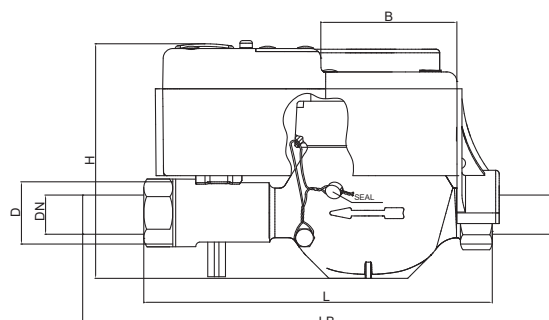
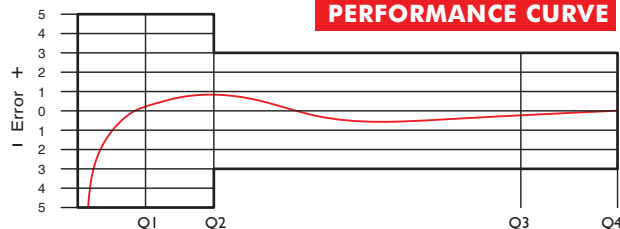
DIMENSIONS

Nominal diameter	DN	20	mm
Connecting diameter	D	G1	B
Total overall meter height	H	133	mm
Axis height	h	36.5	mm
Width	B	111	mm
Length	L	190	mm
Length with connections	LB	270	mm
Unit weight		2.08	kg
Package Weight (without connect)		11.38	kg
Package Weight (with connect)		12.28	kg
Package dimensions		17x60.5x23	cm

PRESSURE LOSS CURVE



PERFORMANCE CURVE



"Due to continuous development of our products, we reserve the right to modify our product design or construction without prior notice."