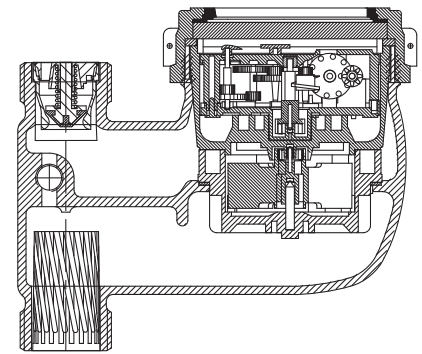


BAYLAN

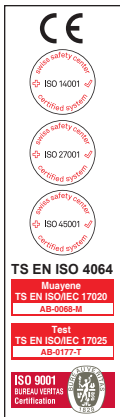
WATER METERS

TK-27 Multi jet Dry type Water Meter



GENERAL

- MID Certified
- Vertical mounting • Suitable for potable water
- Multi jet working principle assures a long service time
- 360° rotating lid
- Low pressure loss, high sensitivity at initial flow
- Electrostatic painted body made of corrosion resistant brass
- Available for optical reading • Non return valve
- Pulse output and AMR reading features are optional
- 3 years of warranty • Almost no maintenance
- Suitable for cold water up to 50°C
- Service and spare parts available for 10 years



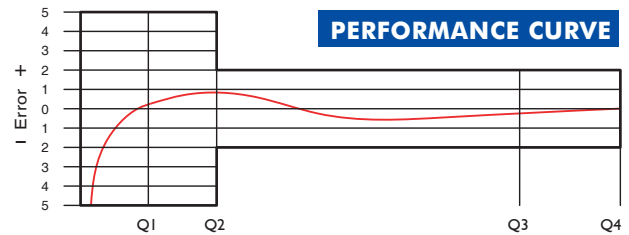
PERFORMANCE DATA

Overload Flowrate	Q4	m ³ /h	3,125
Permanent Flowrate	Q3	m ³ /h	2,5
Transitional Flowrate	Q2	m ³ /h	0,032
Minimum Flowrate	Q1	m ³ /h	0,0200
Q3/Q1 (MI-001 OIML R49)	-		125
Mounting on the network	-		Vertical
Initial Flow	Qi	l/h	5
Maximum Working Pressure	bar		16
Maximum Working Temperature	°C		50
Pressure Loss	bar		0,63
Maximum Registration Capacity	m ³		99999
Smallest Reading Resolution	m ³ /h		0.00005
Quantity per package	-		10
Package dimensions	cm		27x52x22

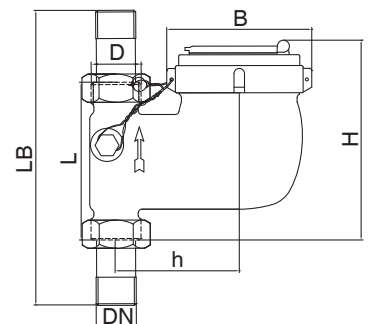
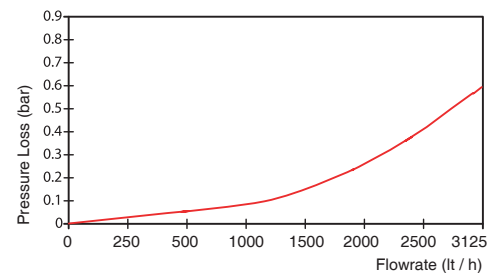
DIMENSIONS

Nominal diameter	DN	20	mm
Connecting diameter	D	G 1	B
Total overall meter height	H	140	mm
Axis height	h	82	mm
Length	L	105	mm
Width	B	93	mm
Length with connections	LB	185	mm
Unit weight		1,59	kg
Package Weight (without connect)		16,82	kg
Package Weight (with connect)		18,72	kg

PERFORMANCE CURVE



PRESSURE LOSS CURVE



"Due to continuous development of our products, we reserve the right to modify our product design or construction without prior notice."