

BAYLAN

WATER METERS

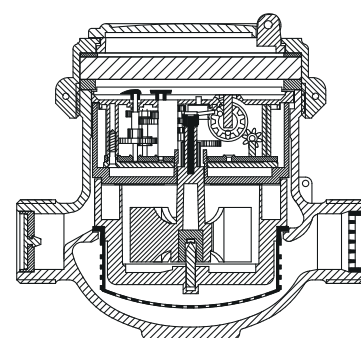
SD-6

Multi jet Semi-Dry type Water Meter



GENERAL

- MID Certified
- Multi jet working principle assures a long service time
- Suitable for potable water
- Low pressure loss, high sensitivity at initial flow
- Propylene glycol protected register
- Special glass with high resistance to pressure and impact
- Double filter • Non return valve
- Electrostatic painted body made of corrosion resistant brass
- Available for optical reading
- 3 years of warranty • Almost no maintenance
- Suitable for cold water up to 50°C
- Service and spare parts available for 10 years

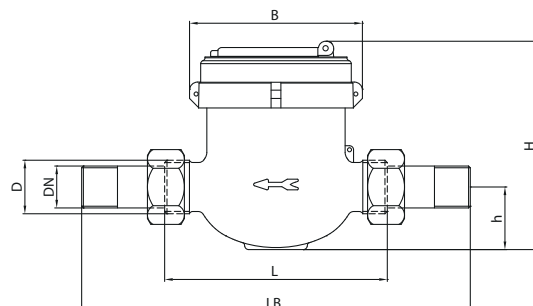
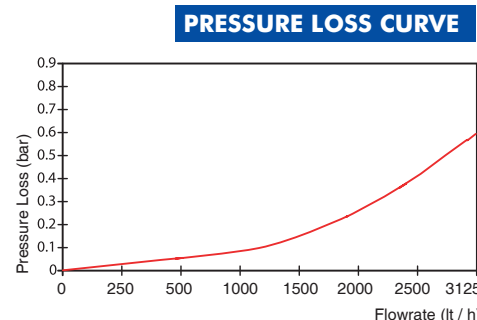
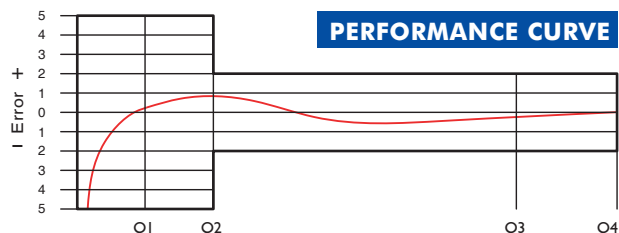


PERFORMANCE DATA

Overload Flowrate	Q4	m ³ /h	3,125
Permanent Flowrate	Q3	m ³ /h	2,5
Transitional Flowrate	Q2	m ³ /h	0,025
Minimum Flowrate	Q1	m ³ /h	0,0156
Q3/Q1 (MI-001 OIML R49)	-		160
Mounting on the network	-		Horizontal
Initial Flow	Qi	l/h	5
Maximum Working Pressure	bar		16
Maximum Working Temp.	°C		50
Pressure Loss	bar		0,6
Maximum Registration Cap.	m ³ /h		99999
Smallest Reading Resolution	m ³ /h		0,00005

DIMENSIONS

Nominal diameter	DN	15	mm
Connecting diameter	D	G 3/4	B
Total overall meter height	H	102	mm
Axis height	h	31	mm
Length	L	110	mm
Width	B	84	mm
Length with connections	LB	190	mm
Unit weight		0,84	kg
Package Weight (without connect)		8,90	kg
Package Weight (with connect)		10,30	kg
Quantity per package		10	pcs
Package dimensions		22x42x16	cm



"Due to continuous development of our products, we reserve the right to modify our product design or construction without prior notice."