

HEPA Filters

AstroCel® II (Gel Seal)

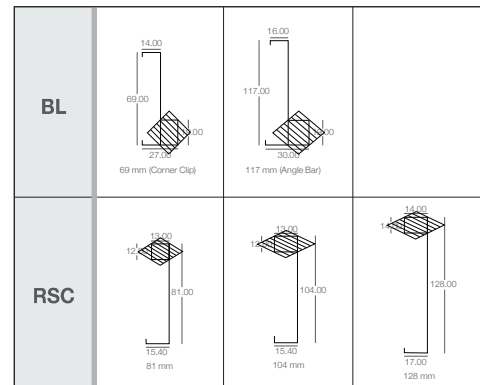
Product Overview

- Individually tested for certified performance
- Reduces operation costs with lowest possible pressure drop from microglass media
- Available in a range of efficiencies
- Lightweight and compact
- Gel seal design



Specification

EN1822	H13 - U17
Filter Depth (mm)	Various
Media Type	Fibreglass
Frame Material	Aluminium
Separator Style	Hot Melt
Gasket Material (Standard)	PU Gel
Gasket Material (Optional)	Silicone Gel
Gasket Position	Downstream (BL), Upstream (RSC)
Faceguard	Both Sides
Special Size Available	Yes
Antimicrobial Available	No
Recommended Final Resistance	500 Pa
Max Operating Temperature	70°C
Air Filtration Certification	UL 900, FM 4920



Product Information

Part Number	Actual Size mm (H x W x D)	Rated Airflow (CMH)	Rated Initial Resistance (Pa)	Gel Position
H13				
M994-203-005	610 x 610 x 69	600	105	BL
M994-203-008	610 x 1220 x 69	1,205		
M964-403-005	610 x 610 x 117	600	65	
M964-403-008	610 x 1220 x 117	1,205		
M504-203-319	570 x 570 x 81	525	105	RSC
M504-203-264	580 x 580 x 81	545		
M504-203-005	610 x 610 x 81	600		
M504-203-985	570 x 870 x 81	800		
M504-203-1361	580 x 885 x 81	830		
M504-203-007	610 x 915 x 81	900		
M504-203-2605	570 x 1180 x 81	1,090		
M504-203-2606	580 x 1190 x 81	1,115		
M504-203-008	610 x 1220 x 81	1,205		
M504-503-005	610 x 610 x 104	600		
M504-503-008	610 x 1220 x 104	1,205		
M504-403-005	610 x 610 x 128	600	65	
M504-403-008	610 x 1220 x 128	1,205		

HEPA FILTERS

AAF has a policy of continuous product research and improvement and reserves the right to change design and specifications without notice.

www.aafintl.com



Bringing clean air to life:

HEPA Filters

AstroCel® II (Gel Seal)

Product Information

Part Number	Actual Size mm (H x W x D)	Rated Airflow (CMH)	Rated Initial Resistance (Pa)	Gel Position
H14				
M995-203-005	610 x 610 x 69	600	135	BL
M995-203-008	610 x 1220 x 69	1,205		
M965-403-005	610 x 610 x 117	600	80	
M965-403-008	610 x 1220 x 117	1,205		
M505-203-319	570 x 570 x 81	525	135	RSC
M505-203-264	580 x 580 x 81	545		
M505-203-005	610 x 610 x 81	600		
M505-203-985	570 x 870 x 81	800		
M505-203-1361	580 x 885 x 81	830		
M505-203-007	610 x 915 x 81	900		
M505-203-2605	570 x 1180 x 81	1,090		
M505-203-2606	580 x 1190 x 81	1,115		
M505-203-008	610 x 1220 x 81	1,205		
M505-503-005	610 x 610 x 104	600		
M505-503-008	610 x 1220 x 104	1,205		
M505-403-005	610 x 610 x 128	600	80	
M505-403-008	610 x 1220 x 128	1,205		
U15				
M997-203-005	610 x 610 x 69	600	150	BL
M997-203-008	610 x 1220 x 69	1,205		
M967-403-005	610 x 610 x 117	600	90	
M967-403-008	610 x 1220 x 117	1,205		
M507-203-319	570 x 570 x 81	525	150	RSC
M507-203-264	580 x 580 x 81	545		
M507-203-005	610 x 610 x 81	600		
M507-203-985	570 x 870 x 81	800		
M507-203-1361	580 x 885 x 81	830		
M507-203-007	610 x 915 x 81	900		
M507-203-2605	570 x 1180 x 81	1,090		
M507-203-2606	580 x 1190 x 81	1,115		
M507-203-008	610 x 1220 x 81	1,205		
M507-503-005	610 x 610 x 104	600		
M507-503-008	610 x 1220 x 104	1,205		
M507-403-005	610 x 610 x 128	600	90	
M507-403-008	610 x 1220 x 128	1,205		

*Other filter classifications are available upon request.

HEPA FILTERS

AAF has a policy of continuous product research and improvement and reserves the right to change design and specifications without notice.

www.aafintl.com



Bringing clean air to life.