



Actuator Driven Compact Ball Valves

■KELMO® Electric Actuators : EA, EC, EAE and ED Series

■Pneumatic Actuators : C, CS, FBS Series

■1/4"~2" Class 5K / 10K Bronze and Stainless Steel Threaded Ball Valves

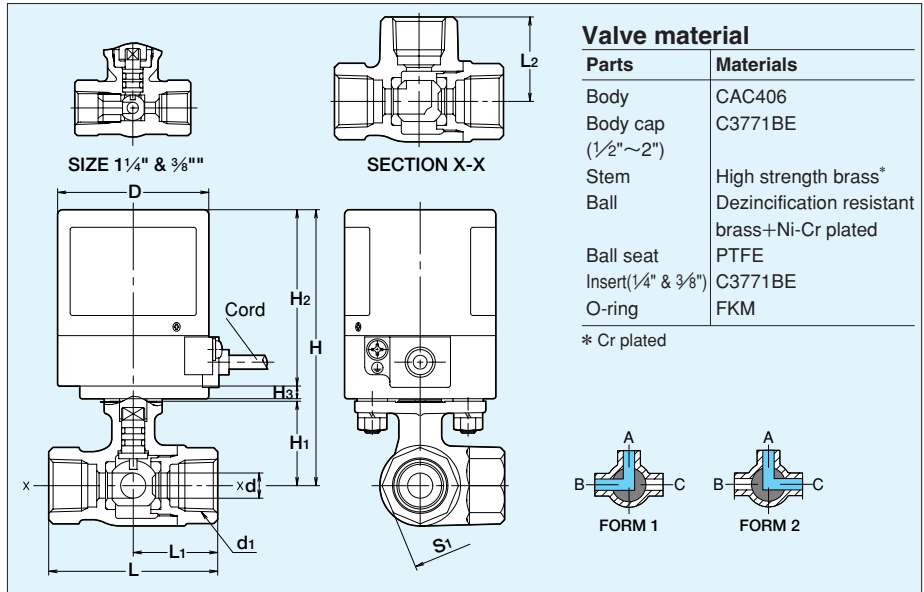


Type EA Electric Actuators / Class 10K Horizontal 3-way Bronze Ball Valves

Type EA

Fig. EA100 / 200-TNE

Actuator size: 1 and 1.5
Valve size: 1/2" to 1" (Standard bore)



* Stainless steel body available Fig. EA100/200-UTNE

Note: Refer to Page 4 for flow directional forms.

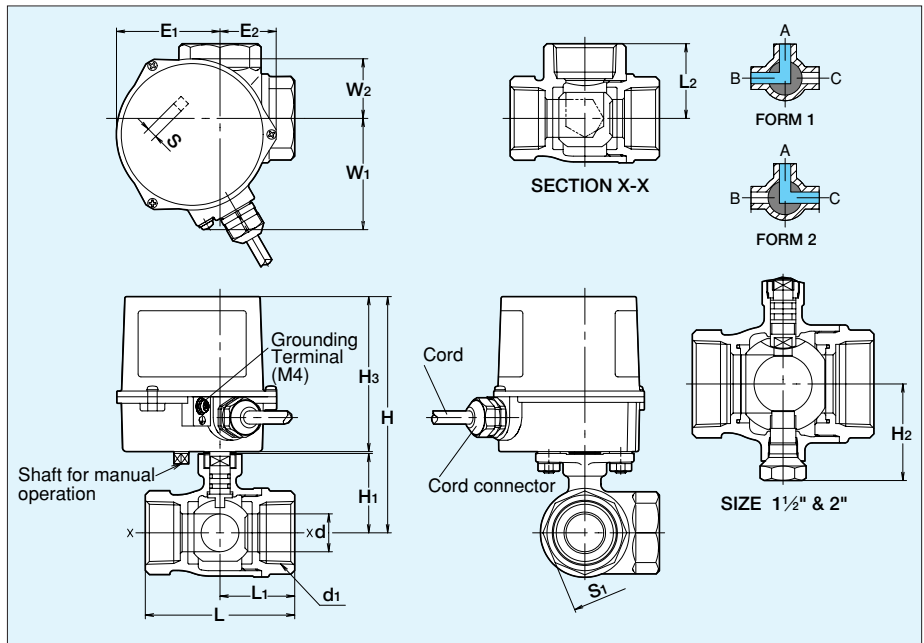
Products are adequately identified with nameplates indicating Form 1 as Form B or Form 2 as Form C. (mm)

Dimensions

Valve Size (inch)	d	d ₁	H	H ₁	L	L ₁	L ₂	S ₁	Actuator			
									H ₂	H ₃	D	Type
1/4	4.5	Rc1/4	101.5	25.5	46	23	23	21	70	5	60	EA100 / 200-1
3/8	6.8	Rc3/8	101.5	25.5	46	22	22	21				
1/2	10	Rc1/2	109.5	33.5	67	33.5	33.5	28				
3/4	15	Rc3/4	114	38	68	34	34	34				
1	20	Rc1	118	42	79	39.5	39.5	41				EA100 / 200-1.5

Fig. EA100 / 200-TNE

Actuator size: 2
Valve size: 1/4" to 2" (Standard bore)



* Stainless steel body available Fig. EA100/200-UTNE

Note: Refer to Page 4 for flow directional forms.

Products are adequately identified with nameplates indicating Form 1 as Form B or Form 2 as Form C. (mm)

Dimensions

Valve Size (inch)	d	d ₁	H	H ₁	H ₂	L	L ₁	L ₂	S ₁	Actuator						
										H ₃	E ₁	E ₂	W ₁	W ₂	S	Type
1/4	25	Rc1/4	128.5	46.5	—	89	44.5	44.5	50	82	54.5	30	59	31.5	5.5	EA100 / 200-2
1/2	32	Rc1/2	142.5	59.5	53.5	100	50	50	56							
2	40	Rc2	148.5	65.5	60	115	57.5	57.5	68							